



MWS Manual winch with spur gear drive

Capacity 150 - 1500 kg

For the operation where no electricity is available or in a dirty environment.

Recommended rope diameter according to EN 12385 FE-znk 1770 sZ-spa.

The rope is not included in the delivery.

Features

- Enclosed gear drive for protection of internal parts, even under tough working conditions.
- Spur gears on roller bearings, rope drum on plain bearings.
- Compact design.
- Easy and quick mounting onto walls, poles etc.
- They have a self-locking, anti-kickback and adjustable crank handle for fast lifting of smaller loads, resulting in lowest possible handle effort and rapid winding of the rope.
- Automatic load pressure brake for safe holding and extremely sensitive lowering of the load. Unintentional brake release is prevented even with swinging loads.
- They are suitable for operation in ambient temperatures of - 10 °C up to + 50 °C.

Option

- Corrosion resistant version.

INFO

For a better guiding of the rope to the suspension point we recommend the use of sheaves or sheave blocks, please see page 95.

Pfaff winches are not designed for passenger elevation applications and must not be used for this purpose.

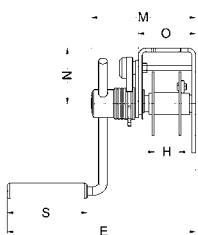
Technical data MWS

Model	Art.-No.	Capacity 1 st layer	Capacity top layer	Crank effort 1 st layer	Lift per crank rotation 1 st layer	Lift per crank rotation top layer	Weight without rope	Rope diameter ¹	Useable rope length 1 st layer	Useable rope length top layer max.	Number of layers max.
		kg	kg	daN	mm	mm	kg	mm	m	m	
MWS 150	N02800013	150	67	11	122	210	4	4	0.8	13	8
MWS 300	N02800014	300	172	6	32	44	10	4	1.8	35	7
MWS 600	N02800015	600	366	10	28	41	11	6	1.2	12	6
MWS 1000	N02800018	1000	614	11	20	27	27	8	3.0	33	5
MWS 1500	N02800019	1500	927	12	14	19	27.5	10	2.7	21	5

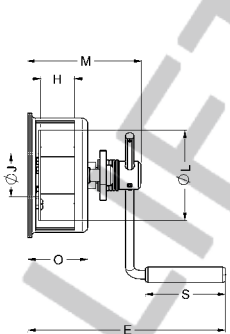
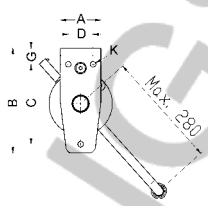
¹recommended rope: EN 12385 FE-znk 1770 sZ-spa

Dimensions MWS

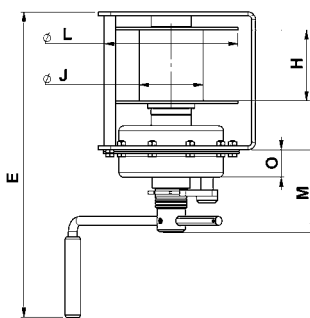
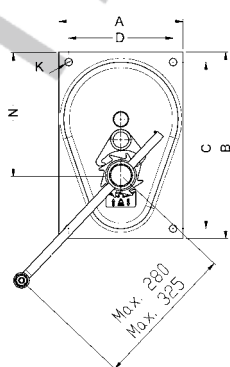
Model	MWS 150	MWS 300	MWS 600	MWS 1000	MWS 1500
A, mm	65	200	200	219	219
B, mm	168	300	300	250	250
C, mm	128	268	268	212	212
D, mm	40	168	168	150	150
E, mm	303	318	318	484	484
F, mm	-	-	-	250	250
G, mm	26	-	-	30	30
H, mm	41	55	55	113	113
I, mm	-	-	-	170	170
Ø J, mm	35	70	60	102	102
K, mm	9	12	12	17	17
Ø L, mm	102	145	145	212	212
M, mm	168	182	182	130	130
N, mm	89	199	199	338	338
O, mm	92	96	96	44	44
P, mm	-	-	-	104	104
Q, mm	-	-	-	190	190
S, mm	129	129	129	129	129



MWS, Capacity 150 kg



MWS, Capacity 300 - 600 kg



MWS, Capacity 1000 - 1500 kg

