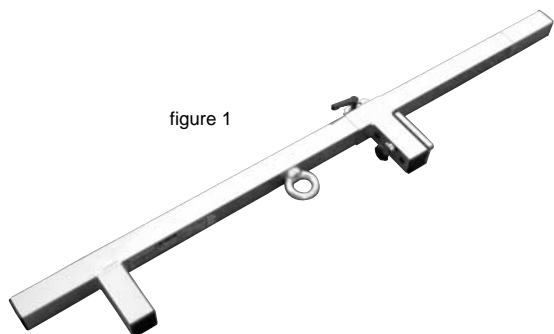


figure 1



Function

The TRACTEL door bar is a mobile anchorage point that complies with EC standard EN 795B

Operation

- 2 people max. from 0 to 800 mm
- 1 person max. from 800 to 1100 mm

Position the door bar at the bottom.

Adjust the adjustable part at the base of the window or door uprights (figure 2).

Check the resistance of the supports : $R > 1100$ daN.
The door bar must be positioned in opposition to the direction of the fall.

Technical characteristics

The device

- Dimensions : 1400 mm
- Weights : Body only 10 Kg

figure 2

